

CLUSTER, C15

INDUSTRY SPECIAL PURPOSE

Data Sheet 22051602 Rev.01

SPRAY CHARACTERISTICS

Uniform distribution across all pressures. Total flow capacity governed by nozzle selection. Nominal 230° spray coverage

NOZZLE PROPERTIES

Threaded body with 1 1/2" BSPT female inlet.

Fitted with 15 Solid Cone spray nozzles.

Standard material availability of 303 and 316 Stainless Steel.

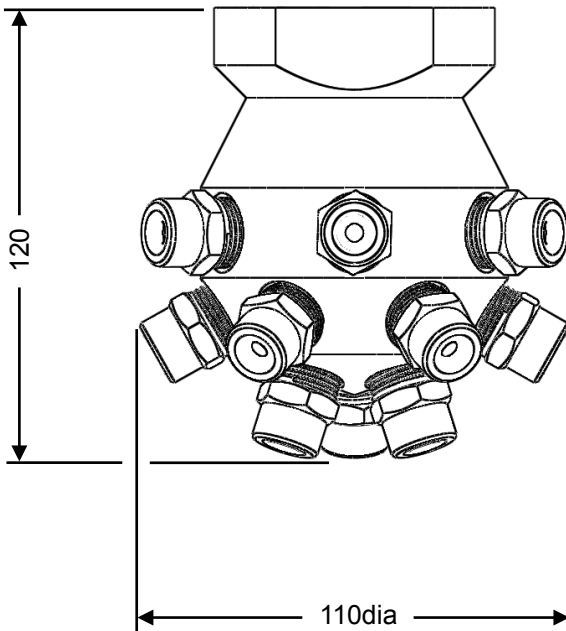
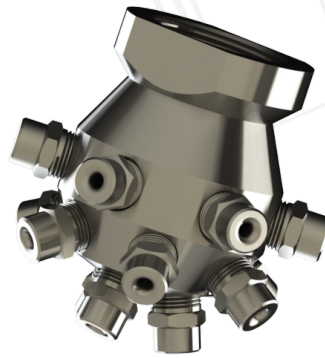
Alternative nozzle can be specified for non-standard spray patterns.

KAITE

tel: **+44 (0) 1744 607361**

email: **sales@kaite.eu**

web: **kaite.eu**



Capacity Chart, C15

CLUSTER NUMBER	NOZZLE	FLOW RATE IN LITRES/MIN AT Bar.G						
		0.7	1	2	3	4	6	7
C21,6	1/4" KBI 6	18.75	22.50	28.20	32.70	39.75	51.15	53.10
C21,8	1/4" KBI 8	27.90	34.20	42.60	48.15	60.00	80.70	85.80
C21,12	1/4" KBI 12	41.85	51.15	61.35	68.25	79.95	105.30	113.70
C21,16	3/8" KBI 16	53.70	66.15	79.50	92.10	109.05	142.65	150.60
C21,20	3/8" KBI 20	66.90	81.90	97.50	113.10	135.90	178.80	189.45
C21,22	3/8" KBI 22	76.65	93.60	112.65	124.80	146.70	198.45	213.60
C21,27	3/8" KBI 27	90.60	111.30	135.15	151.50	184.80	240.90	262.05
C21,32	3/8" KBI 32	108.75	133.20	162.15	184.80	216.60	289.35	306.00