

TYPE.KWJ

V JET (FLAT) SPRAY NOZZLE

Data Sheet 19111502 Rev.01

SPRAY CHARACTERISTICS

Asymmetric flat spray pattern

Fixed Spray angle of 70° from central axis, 10° reflex

NOZZLE PROPERTIES

One piece body with hexagon profile

Available in a range of BSPT thread sizes

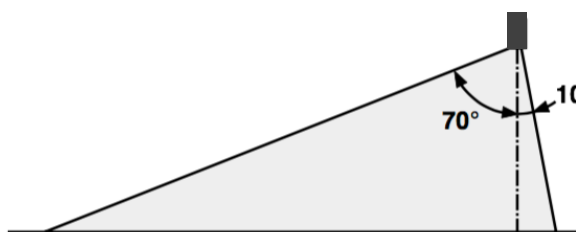
Standard material availability of Brass, 303 and 316 Stainless Steel

KAITE

tel: **+44 (0) 1744 607361**

email: **sales@kaite.eu**

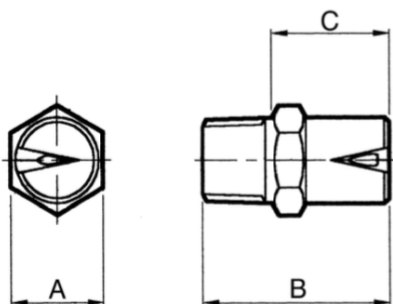
web: **kaite.eu**



Typical Spray Pattern @ 2.8 Bar.G

Dimensions and Weights

THREAD	DIMENSIONS (mm)			WEIGHT (g)
	A Hex	B	C	
1/4"	15.3	30.2	19.0	43
3/8"	18.0	40.0	25.4	85
1/2"	25.7	46.0	29.3	114
3/4"	28.0	50.0	31.8	170
1"	38.0	62.7	39.7	380



Capacity Chart

NOZZLE NUMBER	THREAD SIZE	ORIFICE DIA (mm)	FLOW RATE IN LITRES/MIN AT Bar.G						
			0.7	1.5	2	3	4	5	7
20	1/4"	2.8	3.80	5.41	6.25	8.05	9.37	9.94	12.4
30	1/4" 3/8"	3.6	5.95	8.50	9.82	11.8	13.8	15.1	17.8
40	1/4" 3/8"	4.0	7.78	10.5	12.1	15.6	18.3	20.6	24.3
50	1/4" 3/8" 1/2"	4.4	9.61	13.9	16.1	19.9	22.8	25.5	30.2
60	3/8" 1/2"	4.8	11.4	16.6	19.2	23.7	27.2	30.7	36.1
70	3/8" 1/2"	5.2	13.3	19.7	22.8	27.5	32.1	35.9	42.5
80	3/8" 1/2"	5.6	15.1	22.1	25.5	31.7	36.6	41.1	48.0
100	1/2" 3/4"	6.4	19.2	27.5	31.7	39.3	45.5	51.0	60.4
125	1/2" 3/4"	7.0	22.9	33.5	38.7	47.4	54.7	61.2	72.4
150	3/4" 1"	7.5	28.8	41.7	48.2	59.2	68.3	76.5	90.1
200	1"	8.8	38.0	55.7	64.3	79.1	91.1	102	120
250	1"	9.8	47.6	69.6	80.4	98.5	113	128	150
300	1"	10.8	57.2	83.9	96.9	118	137	153	181