

CLUSTER, C21

INDUSTRY SPECIAL PURPOSE

Data Sheet 22051601 Rev.01

SPRAY CHARACTERISTICS

Uniform distribution across all pressures. Total flow capacity governed by nozzle selection. Nominal 360° spray coverage

NOZZLE PROPERTIES

Threaded body with 1 1/2" BSPT female inlet.

Fitted with 21 Solid Cone spray nozzles.

Standard material availability of 303 and 316 Stainless Steel.

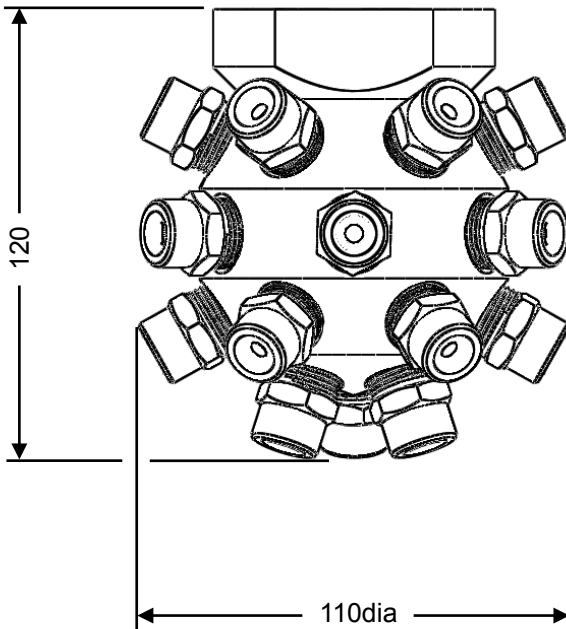
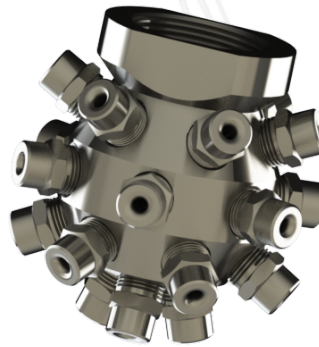
Alternative nozzle can be specified for non-standard spray pattern.

KAITE

tel: **+44 (0) 1744 607361**

email: **sales@kaite.eu**

web: **kaite.eu**



Capacity Chart, C21

CLUSTER NUMBER	NOZZLE	FLOW RATE IN LITRES/MIN AT Bar.G						
		0.7	1	2	3	4	6	7
C21,6	1/4" KBI 6	-	31.50	45.78	55.64	60.26	71.61	74.34
C21,8	1/4" KBI 8	-	47.87	67.83	83.98	95.55	112.90	120.10
C21,12	1/4" KBI 12	-	71.61	95.54	111.20	124.10	147.40	159.10
C21,16	3/8" KBI 16	75.18	92.61	128.90	152.60	167.90	199.70	210.80
C21,22	3/8" KBI 22	107.30	131.10	174.70	205.30	229.10	277.80	298.90
C21,27	3/8" KBI 27	126.80	155.80	211.90	258.70	286.40	337.20	366.60
C21,32	3/8" KBI 32	152.10	186.50	258.70	303.20	335.10	405.10	428.20
C21,42	3/8" KBI 42	203.10	242.80	335.20	405.10	449.60	524.0	574.80